



IMAGES ARE SUBJECT TO CHANGE

Powerful 3D Perspective™ Technology

The XR3D-7D, powered by BioSans™, is an easy to operate, dual source scanner that provides operators with extremely detailed, more revealing images, enhanced detection capabilities and a very low cost of ownership.

With a tunnel opening of 750 mm wide by 550 mm high (29.5" x 21.7"), the XR3D-7D is the ideal solution for a variety of usages such as critical infrastructures, transportation and border operations where screening of parcels, bags and mail is required.

VOTI's scanners employ innovative 3D Perspective™ technology to deliver exceptional threat detection capabilities. Through an advanced intuitive touch screen interface, operators can manipulate and enhance scanned images in a variety of ways to better pinpoint and evaluate potential threats. The overall threat detection process is enhanced by a suite of software guided tools and features, including extended and configurable threat libraries.

Product Highlights

- 3D Perspective™ Dual Energy Imaging
- Icon-Driven GUI with LCD Touch Screen
- Threat Alert and Material Classification
- One-touch, Instant View Last Five Bags
- Dynamic Pseudo Density Layering
- Multilingual Operation
- Auto-Archiving
- Network-Ready

General Specifications

Dimensions:	Length (L): 2635 mm (103.7")
	Height (H): 1524 mm (60")
	Width (W): 1382 mm (54.4")
Conveyor height:	763 mm (30") from floor
Tunnel size:	750 mm x 550 mm (29.5" by 21.7")
Max. object size:	700 mm x 540 mm (27.6" by 21.3")
Conveyor speed:	0.22 m/s (44'/min.) variable speed, bi-directional
Conveyor load:	200 kg (441 lbs) max. evenly distributed weight
Approx weight:	1033 kg (2,272 lbs)
System power:	120/240 VAC 10/5 A 50/60 Hz

X-ray Generator and Image Performance

Generator:	Two x-ray generators operating at 160 kV
Cooling:	Sealed oil bath
Orientation:	Diagonal upwards and horizontal
Duty cycle:	100%
Detectors:	Dual energy silicone photo diodes for color coding and material classification
Wire resolution:	Up to 40 AWG
Steel penetration:	Up to 37 mm*

As measured on VOTI proprietary test piece. ASTM F 792-08 Test Piece: Max measureable value: 34mm

Computer Specifications

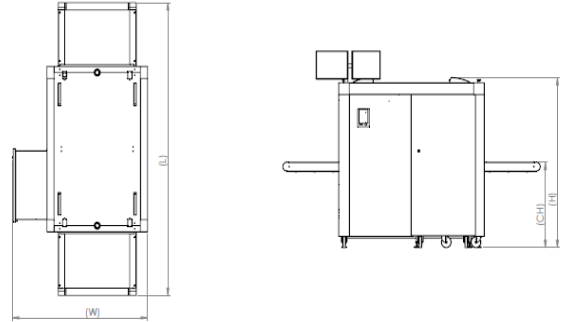
Networking:	WiFi/Ethernet enabled
Monitor:	22" colour LCD touch screen Resolution: 1920 x 1080

Operating Environment

Storage temperature:	-20 to 60°C
Operating temperature:	+0 to 40°C
Relative humidity:	Up to 95% non-condensing

Certified to UL 61010-1, CAN/CSA 22.2 No. 61010-1-04, IEC 61010-1:2001
CE compliant: 2006/95/EC, 2006/42/EC, 2004/108/EC
FCC part 15
FDA title 21, CFR 1010.2
FDA title 21, CFR 1010.3
FDA title 21, CFR 1020.4
Health Canada Radiation Emitting Devices Act
Maximum x-ray leakage: meets all applicable laws and regulations with respect to x-ray emitting devices
Film safety: ISO 1600/33 DIN

Dimensions



Standard Features

- 3D Perspective™ dual energy imaging
- LCD touch screen
- Remote technical support
- Secure USB port for external storage available through BioSans™ software
- Auto-archiving (60,000 sessions)
- One-touch instant view of last 5 bags
- Extended shrouds
- Fully automatic, software-driven tube seasoning
- Network ready
- Automatic built in test & self diagnosis
- Scanned object counter
- Archive management module
- Administration module
- Restricted secure access key
- Bi-directional scanning
- Uninterruptible power supply (UPS)
- Power Conditioner
- VotiIMAGE™
 - Image Edge Enhancement (IEE)
 - Black & white and inverse video
 - Variable contrast control
 - Digital zoom to 64x, pan and flip
 - Dynamic pseudo layering
- VotiMAT™
 - Z^{eff} color image
 - Organic / inorganic stripping
 - Z^{eff} based calculation
- VotiDENS™
 - Automatic High Density Alert (HDA)
 - HD and VHD enhancement



Applications & Options

- Multilingual operations
- Mail scanning for letters and envelopes
- Digital picture of objects scanned
- VotiALERT™
 - Threat assessment management system with automatic threat alert and material classification
 - Inspection & Tagging Recommended (ITR)
 - Area of Interest Highlighting (AIH)
- VotiRAM™
 - Risk Assessment Management (RAM) module with customizable operation and detection parameters
 - 5 security Levels
- VotiRAV™
 - Remote Archive Viewer and secondary screening of up to 5 VOTI x-ray scanners
 - Backup storage/archiving of scans
- VotiTIP™
 - Threat Image Projection software
 - TIP management system software
- VotiPMD™
 - Auto-detection of precious metals such as gold and platinum
- Extended roller tables
- Pressure sensitive mat
- Additional LCD touch screen
- Stainless steel conveyor covers

These specifications are subject to change without notice.
XR3D-700-7D-EEN-201801-05

© Copyright 2008-2018 VOTI Inc. - All rights reserved.

CANADIAN TECHNOLOGY

